

JRC NAVIGATION ECHO SOUNDER

JFE-582(200kHz)/585(50kHz)

Ministry of Transport type approval(Japan):JFE-582
MED(Marine Equipment Directive)type approval
Certificate No.DERA-MED-23/00-01R:JFE-582
Certificate No.DERA-MED-16/00-01:JFE-585



Easy to see digital depth display

Operates even when paper feed set to freeze

(Digital depth display, external output of data, water-depth alarm)

Even more compact main unit(floor area ratio: -20%; mass: -6kg*)

* Compared with the previous model



Japan Radio Co., Ltd.

Specifications JFE-582 / JFE-585

Both models confirm to IMO resolution A.224() MSC74(69) Annex 4.

Range	10	25	50	250	500
Depth Range Scale	0—10m	0—25m	0—50m	0—250m	0—500m
Sounding Capability (Note 1)	2m—10m 2m—25m 2m—50m 2m—250m 2m—500m				
Sounding rate	133times/minute	133times/minute	133times/minute	66times/minute	66times/minute
Operating frequency	200kHz(JFE - 582) 50kHz(JFE - 585)				
Recording Paper	150mm(Wide)× 15m(Long)				
Paper feed speed	Selectable 20mm/min(10minutes), 10mm/min(20minutes), 6.6mm/min(30minutes), Freeze(Note2)				
Draft adjust	Max.50m				
Digital Depth Display	3 characters indication on the LCD.(Decimal values for less than 100m.)				
Depth Alarm	The buzzer sounds and the LED flickers when the depth is shallower than the set water depth.				
Power Fail Alarm	The buzzer sounds and the LED flickers when the power line happen to down the voltage.(Note3)				
Illumination	Recording paper and operational panel, with dimmer				
Output Depth Data	NMEA0183(V2.3, V1.5), JRC format(Note4)				
Input Nav.Data	NMEA0183(V2.3, V1.5) / 0180, JRC format				
Output Signal	Depth Alarm(Relay contact Max. 120VAC10A or 30VDC8A, selectable NO / NC) Power Fail Alarm(Relay contact Max. 120VAC10A or 30VDC8A, selectable NO / NC)				
Input Signal	Depth Alarm acknowledge(selectable contact/current drive. Rated contact 5VDC5mA, current drive 12VDC1.2mA) Power Fail Alarm acknowledge(selectable contact/current drive. Reted contact 24VDC5mA, current drive 12VDC1.2mA)				
Paint Color	Panel:Munsell N4, Case:Munsell N7(Note5)				
Power Supply	Main Unit:100/110/115/200/220/230VAC(Operationable Voltage:85—265VAC)50/60Hz Max.60VA Power Fail Alarm control unit:24VDC(Operationable Voltage:20—32VDC) Max.2.5W when circuit is operating				
Dimensions	Wall Hanger type or Build in(Flush)type is all the same. W376 × H325.5 × D196mm(Include the bulge of the knob W383 × H325.5 × D212mm)				
Mass	Wall Hanger type or Build in(Flush)type is all the same. 11kg				
Operating Temperature	- 15 — + 55				

Note1:Set the Gain level for the best pick up of the sea bottom on the recording paper. The maximum measurable depth largely depends on the shape of the ship, installation place of the transducer, quality of the sea bottom, channel, etc., and the maximum measurable depth bottoms shallower as the ship speed becomes faster, compared with the stopping ship. Also, when the ship moves backward, the transducer is covered with a lot of bubbles generated by the screw and the sound wave is attenuated. Thus, the depth measuring function deteriorates remarkably.

Note2:Set the freeze to stop the paper feed. Though the depth display and the output depth data alarms continue work.

Note3:Use of the Power fail alarm capabilities requires the another power supply 24VDC.

Note4:NMEA0183 output sentence, V1.5:SDDBS, SDDBT, SDDBK V2.3:SDDPT.

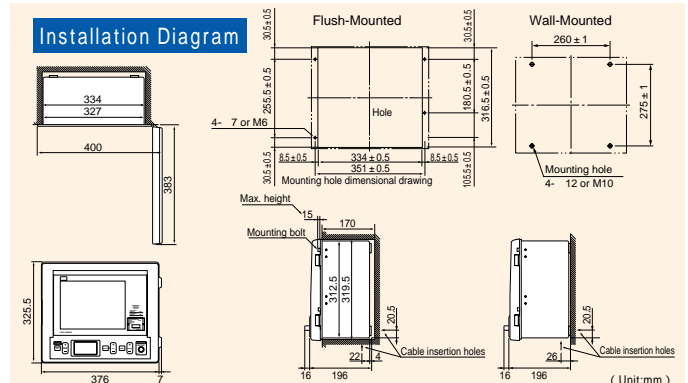
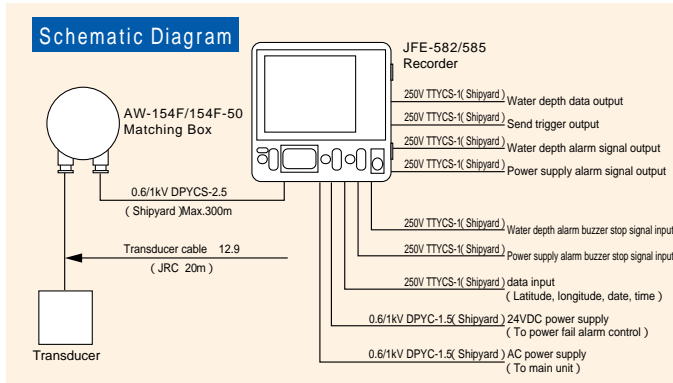
Note5:A combination of painting colors Munsell N4 and N7 is JRC standard type.

COMPONENT JFE-582

Description	Q'Ty	Mass	Remarks
Recorder Unit JFE-582	1	11kg	
Matching Box AW-154F	1	4kg	
Transducer Mounting NKF-341	1	22kg	with cable 20m
Spare parts 7ZXBS0010	1	1kg	
Instruction Manual 7ZPBS2301C			English

COMPONENT JFE-585

Description	Q'Ty	Mass	Remarks
Recorder Unit JFE-585	1	11kg	
Matching Box AW-154F-50	1	4kg	
Transducer Mounting NKF-345	1	20kg	with cable 20m
Spare parts 7ZXBS0010	1	1kg	
Instruction Manual 7ZPBS2302C			English



For further information, contact:



Since 1915

Japan Radio Co., Ltd.

URL <http://www.jrc.co.jp/>

Main Office: Akasaka Twin Tower(Main), 17-22, Akasaka 2-chome, Minato-ku, Tokyo 107-8432, JAPAN
Telephone: Tokyo(03)3584-8788
Facsimile: Tokyo(03)3584-8795

Telex: 2425420 JRCTOK J Cable: JAPANRADIO TOKYO

Overseas Branches : Seattle, London
Liaison Offices : Kaohsiung, Manila, Bangkok, Singapore, Jakarta, New Delhi, New York, Rotterdam, Piraeus, Las Palmas

19EM

ISO9001, ISO14001 Certified