

2. SYSTEM DIAGRAM

2.1 GMDSS Console system configuration

NCU-331E /F/G(1)

Antenna Tuner is installed indoors.

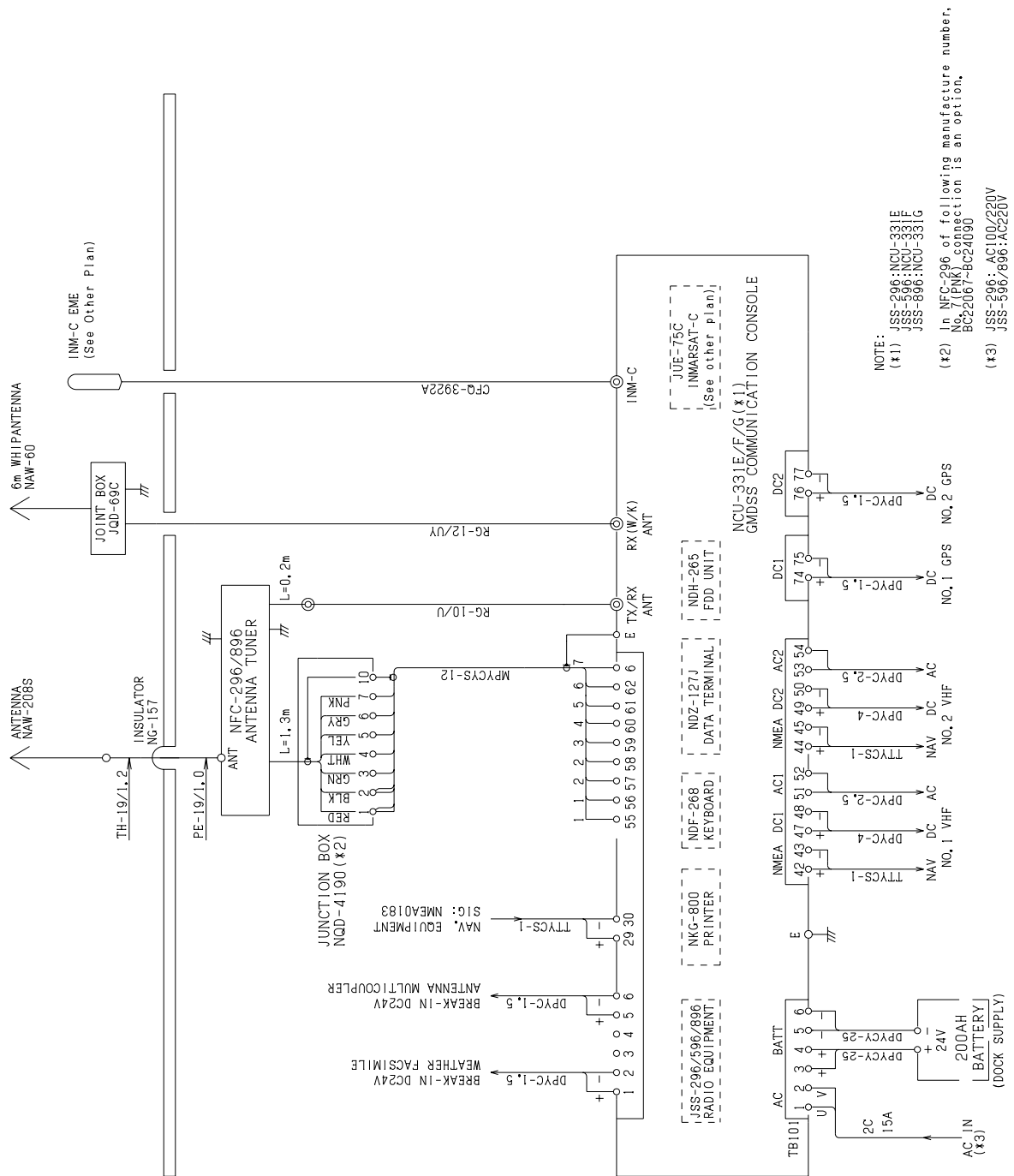
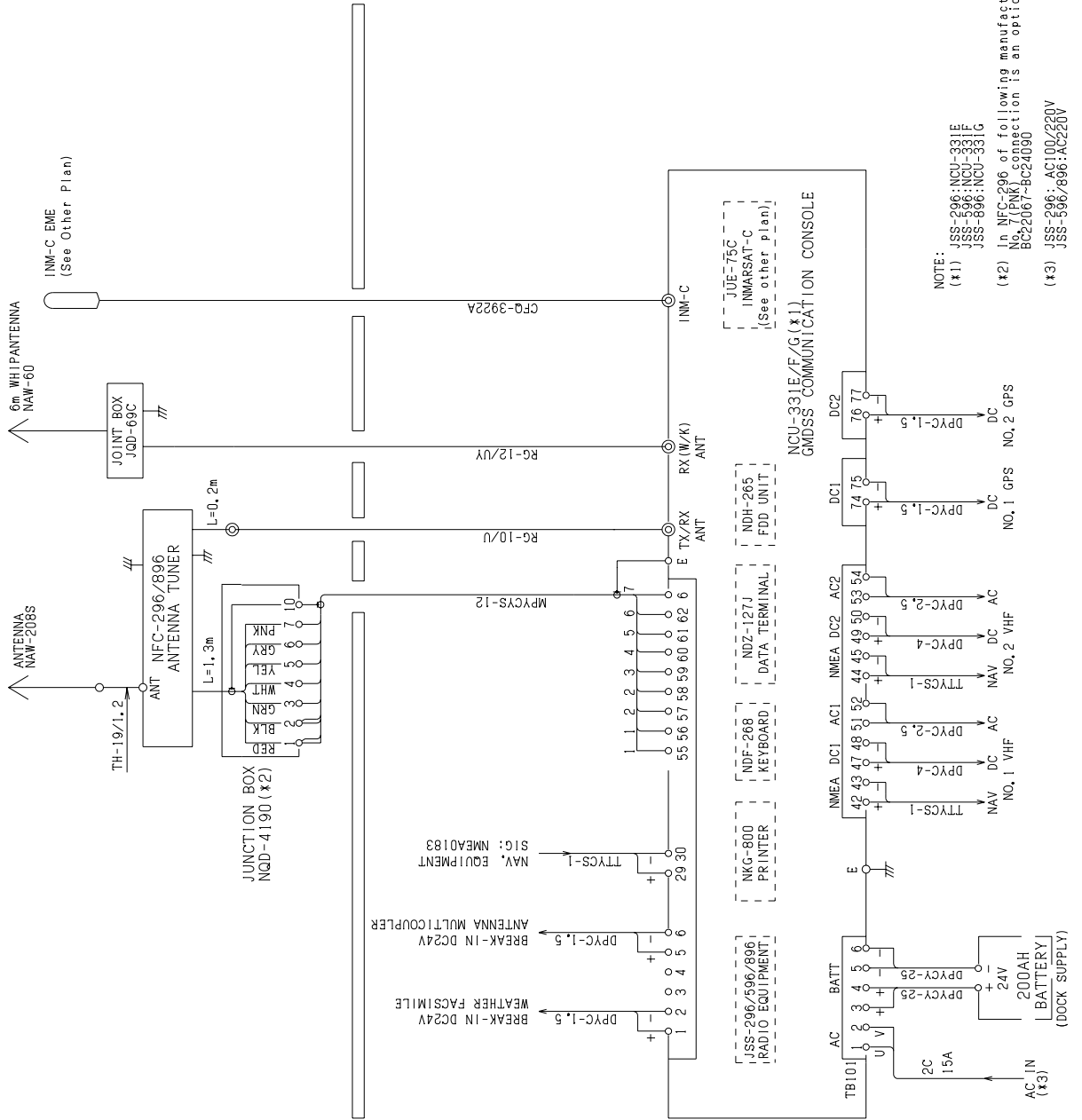


Figure 2-1 NCU-331E/F/G (1)

NCU-331E /F/G(2)

Antenna Tuner is installed in the outdoors.



NOTE:
 (x1) JSS-296:NCU-331E
 JSS-596:NCU-331F
 JSS-896:NCU-331G
 (x2) In NFC-296 of following manufacture number,
 No.(PNK) connection is an option,
 BC22007-BC24090
 (x3) JSS-296: AC100/220V
 JSS-596/896:AC220V

Figure 2-2 NCU-331E/F/G (2)

NCU-324E/E/F/G, NCU-692

Antenna Tuner is installed indoors.

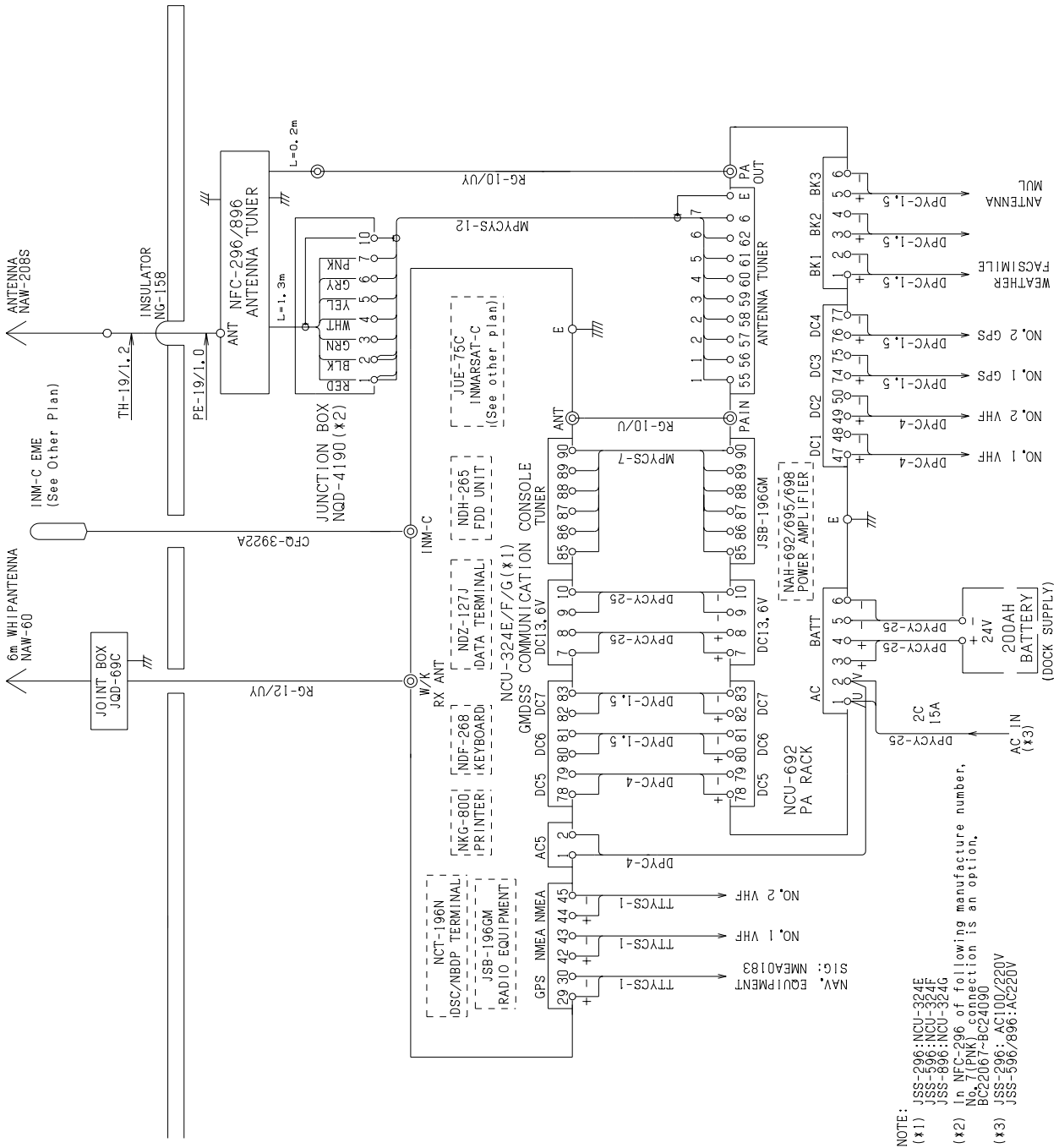


Figure 2-3 NCU-324E, NCU-692

NCU-1960, NCU-692

Antenna Tuner is installed indoors.

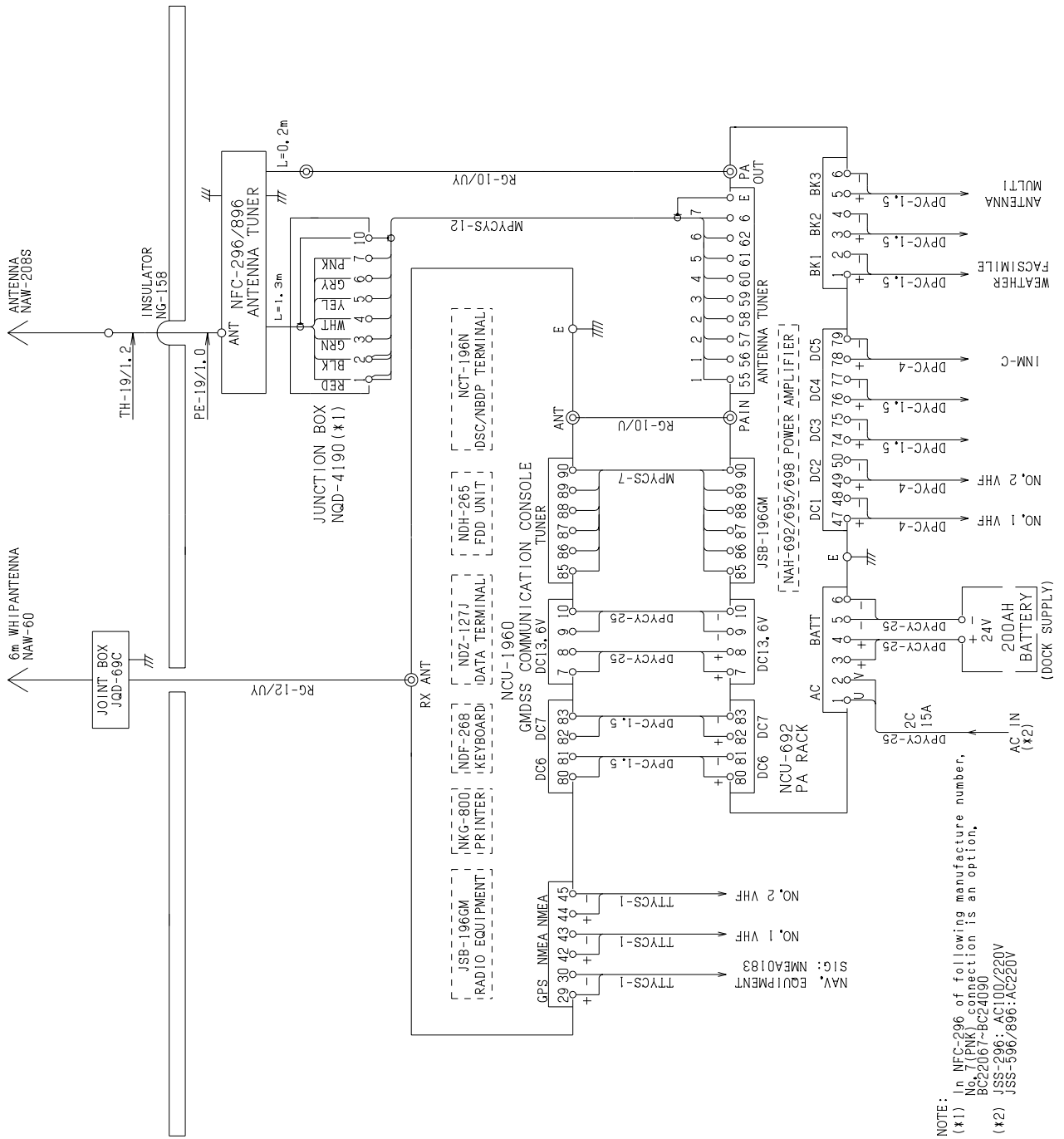
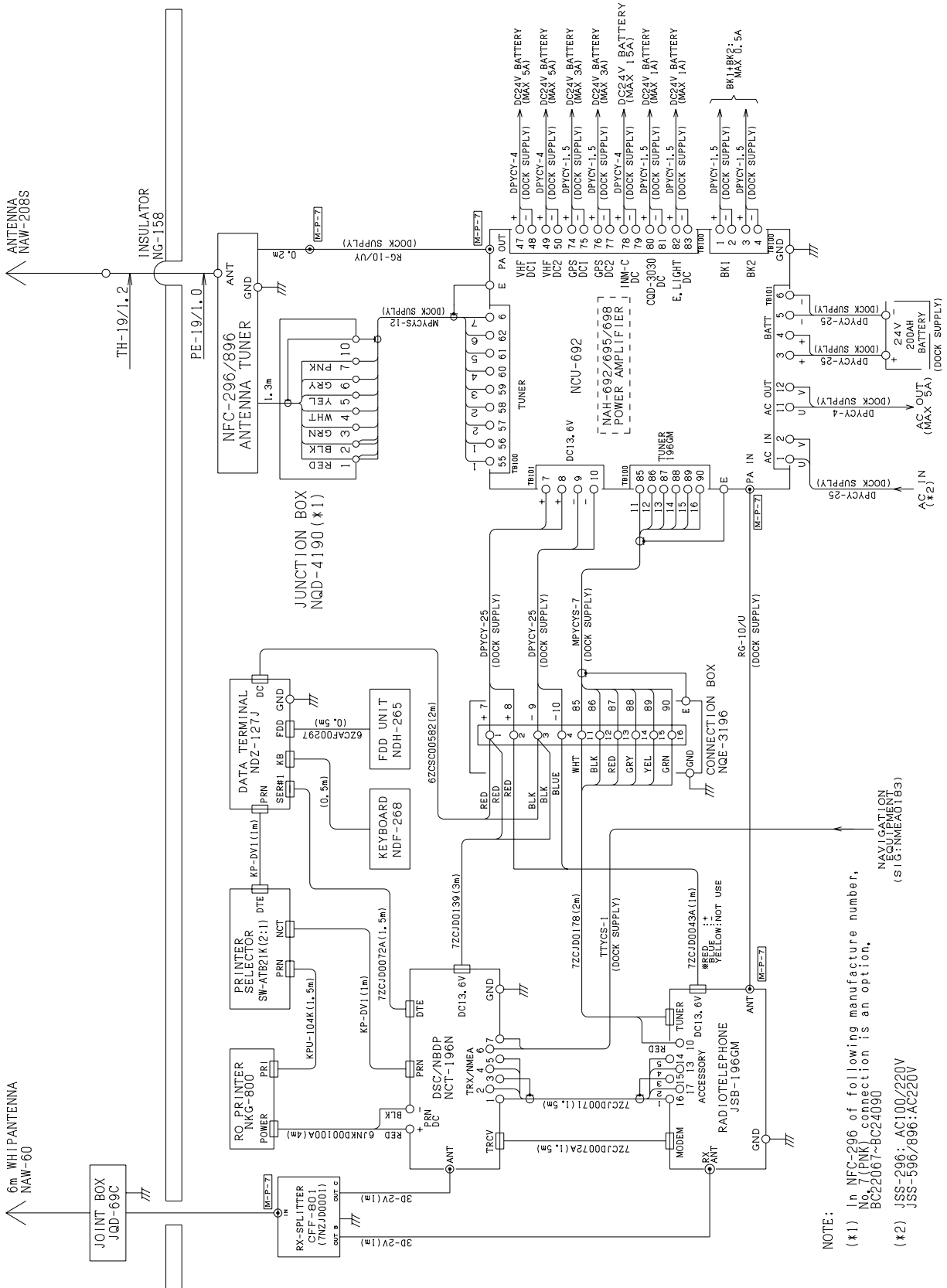


Figure 2-4 NCU-1960, NCU-692

NCU-692, NQE-3196

Antenna Tuner is installed indoors.



NOTE:
 (*1) In NFC-296 of following manufacture number,
 NCU-692/896 connection is an option,
 B022067-B024090 NAVIGATION
 (S162NMEAD183)
 (*2) JSS-296: AC100/220V
 JSS-596/896: AC220V

Figure 2-5 NCU-692, NQE-3196

2.2 GMDSS Console Interconnection diagram

NCU-331E/F/G

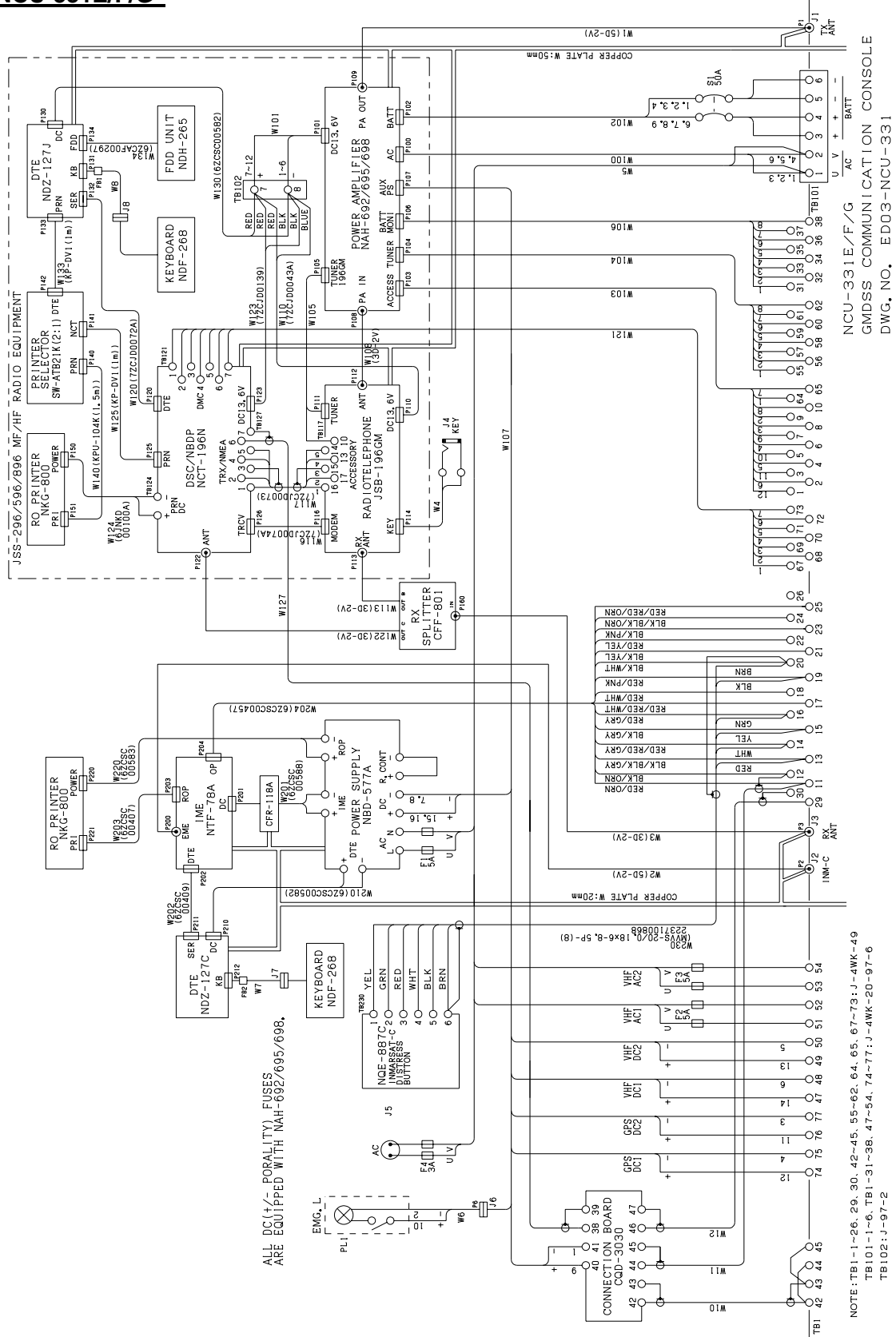
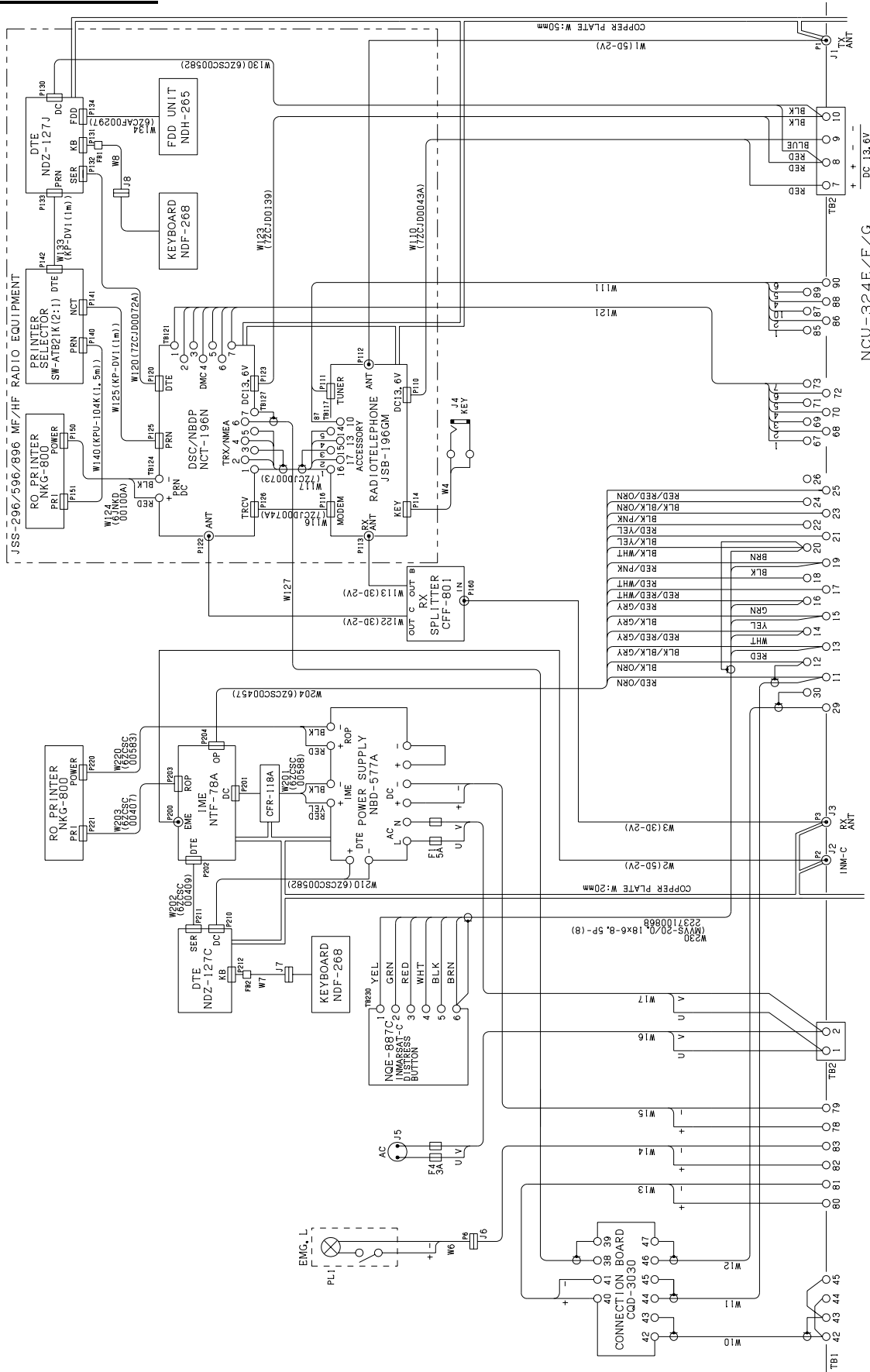


Figure 2-6 NCU-331E/F/G

NCU-324E/F/G

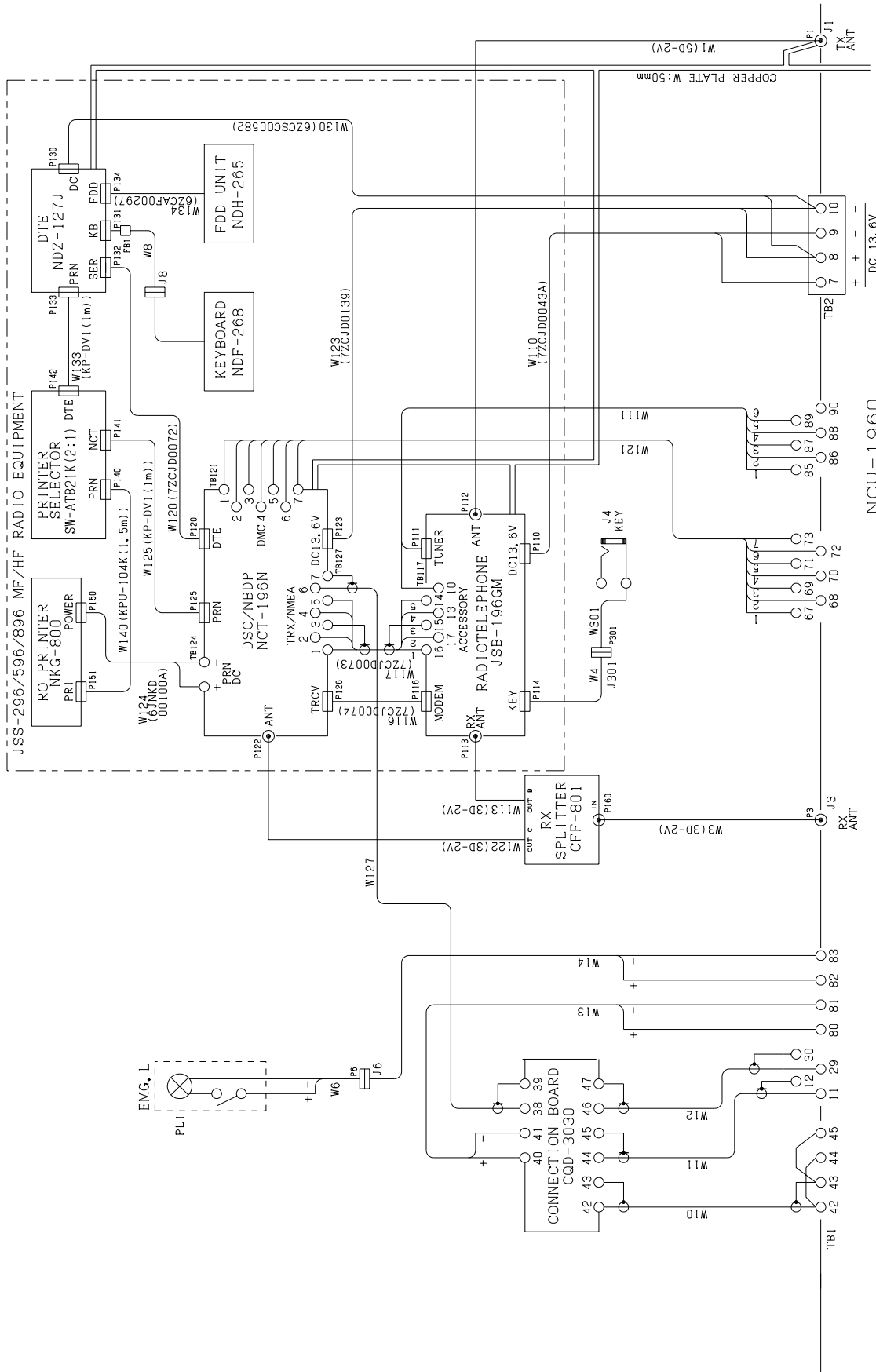


NCU-324E/F/G
GMDSS COMMUNICATION CONSOLE
DWG. NO. ED03-NCU-324

NOTE: TB1-11-26, 29, 30, 42-45, 67-73, 85-90; J-4WK-34
TB1-79-83, TB2-1, 2; TB2-7~10; J-97-2

Figure 2-7 NCU-324E/F/G

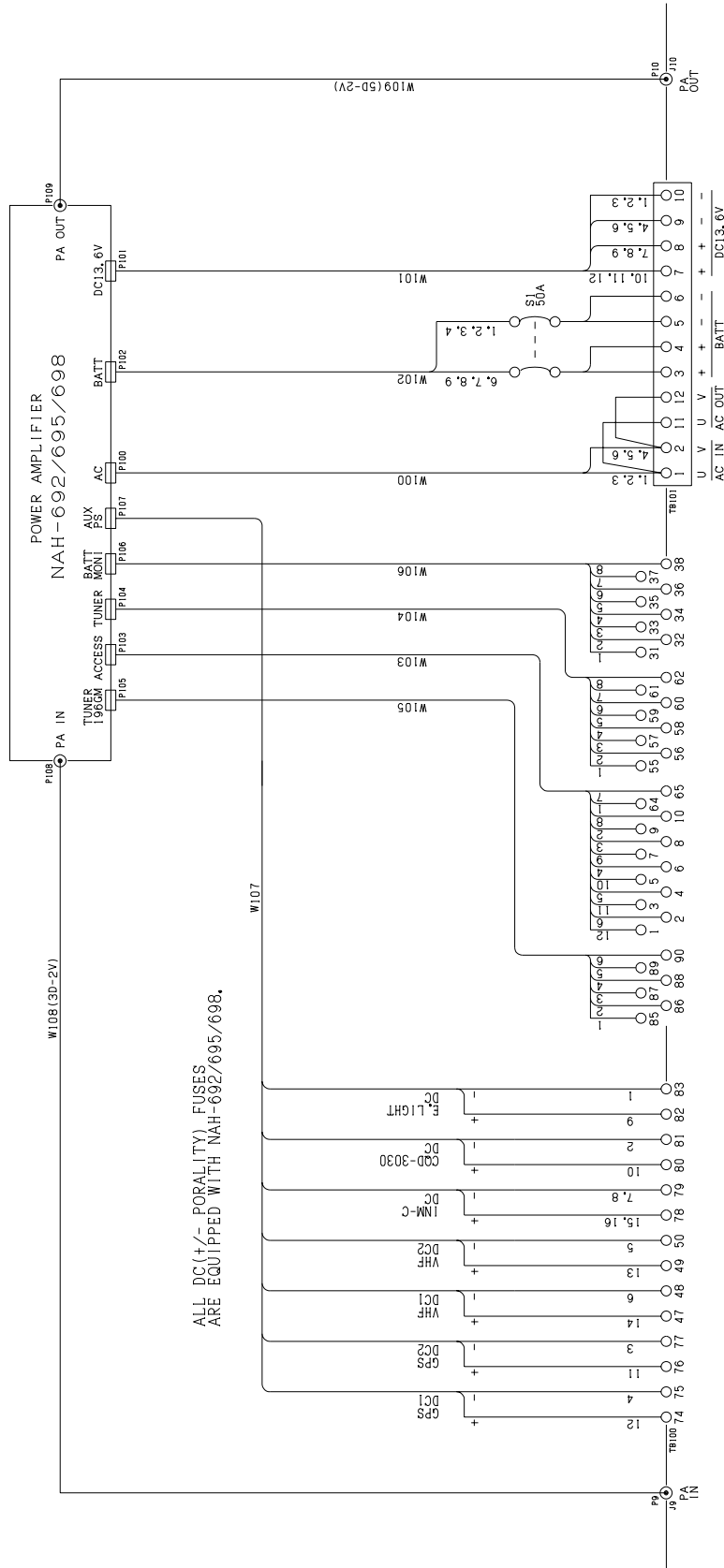
NCU-1960



NCU-1960
 GMDSS COMMUNICATION CONSOLE
 DWG. NO. ED01-NCU-1960

NOTE: TB1-11, 12, 29, 30, 42~45, 67~73, 85~90: J-4WK-21
 TB1-80~83, TB2-7~10: J-4WK-97-4

Figure 2-8 NCU-1960



ALL DC (+/- POLARITY) FUSES
ARE EQUIPPED WITH NAH-692/695/698.

NCU-692 PA RACK
DWG. NO. ED01-NCU-692

Figure 2-9 NCU-692